

INSTALLATION INSTRUCTIONS

STEP 1: Measure and place “X” marks at 21 ¼” and 29 ½” (54.0 cm and 75.0 cm) on the wall. Make sure they are vertical from the floor (Figure 1).

STEP 2: Align the top hole of the plastic bracket with the “X”, and mark the location of the bottom hole. Repeat for the next plastic bracket (Figure 2).

STEP 3: Drill a ⅛” (3.2 mm) hole through all markings for the nylon screw mounts (Figure 3).

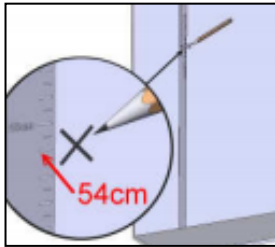


Figure 1

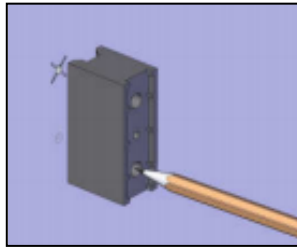


Figure 2

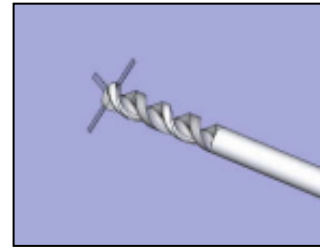


Figure 3

STEP 4: Insert the supplied nylon screw mounts into the drilled holes (Figure 4).

STEP 5: Screw the plastic brackets to wall using the four (4) thread cutting screws (Figure 5).

STEP 6: Extend height rod out.

STEP 7: Align the uppermost hole in the height rod with the center threaded insert on the bracket (Figure 6).

STEP 8: Mount the height rod to the bracket using the two (2) flat head screws.

STEP 9: Use a tape measure to verify accuracy at 60 inches. Height should be within $\pm 1/4$ ”.

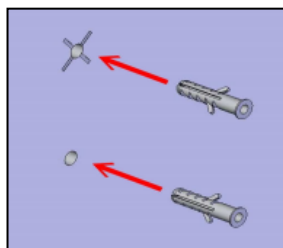


Figure 4

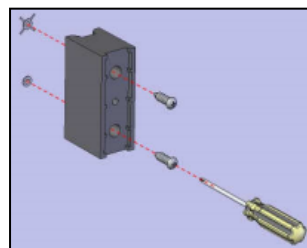


Figure 5

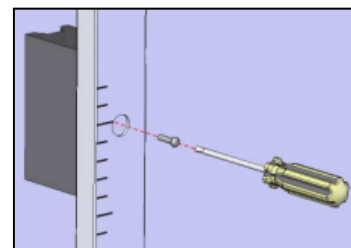


Figure 6

SAFETY INSTRUCTIONS

Before using the new height rod please take time to read the following safety instructions:

- When installing, ensure the screws are tight and that the rod has been installed correctly (see installation instructions above).
- Fold down the measuring slide after height has been measured to avoid risk of injury.

CLEANING

Clean the measuring rod as required using a domestic cleaning agent or commercially available disinfectant. Please follow the disinfectant manufacturer’s cleaning instructions.

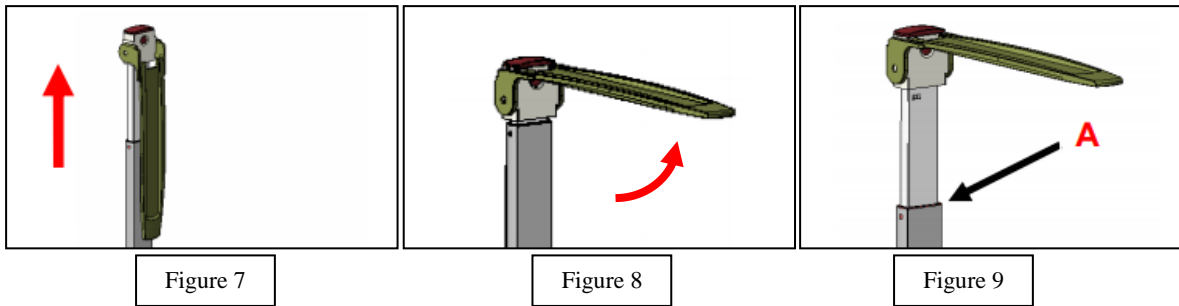
HOW TO USE THE HEIGHT ROD

Measuring over 47 ½ inches (121 centimeters).

STEP 1: Pull out the rod (Figure 7).

STEP 2: Position the measuring slide in the horizontal position (Figure 8).

STEP 3: Measured result can be read off at edge A (Figure 9).

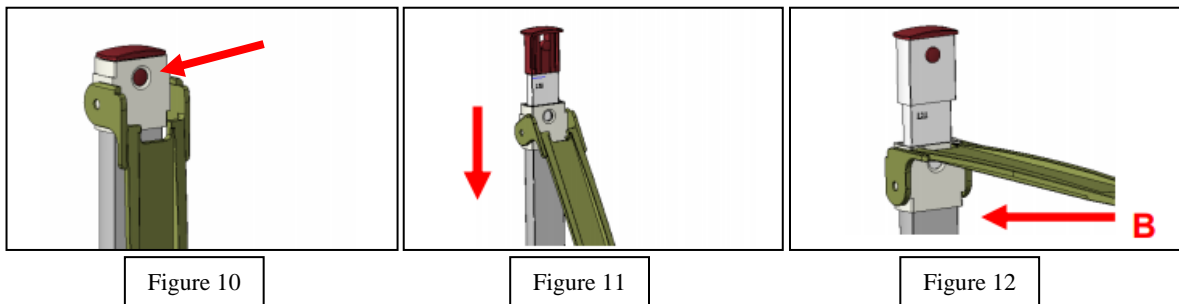


Measuring under 47 ½ inches (120 centimeters).

STEP 1: Press the button on the head piece (Figure 10).

STEP 2: Pull down the head piece as the button is pressed (Figure 11).

STEP 3: Measured result can be read at edge B (Figure 12).



TECHNICAL DATA

Measurement range:	24" to 82 ¾" (60 cm to 210 cm)
Graduations:	1/16" (1 mm)
Dimensions (W x H x D):	2 ¼" x 31" x 1 ½" (55 mm x 784 mm x 34 mm)
Weight:	1 lb 9 oz (.70 kg)