

Pediatric Cart

Model SRC-100

The SRC-100 is a great addition to the SR615i or as an all-round utility cart. Made entirely of stainless steel, this cart will provide years of worry-free service.

The cart comes with oversized 4" casters for movement between birthing suites and the nursery. A protective rail around the perimeter keeps items from sliding around the top of the cart.



Specifications subject to change without notice. Scale not included.

STAINLESS STEEL CONSTRUCTION

Durable and easy to clean.

OVERSIZE 4" CASTERS

Provide easy movement throughout a clinic or hospital. Includes one brake caster.

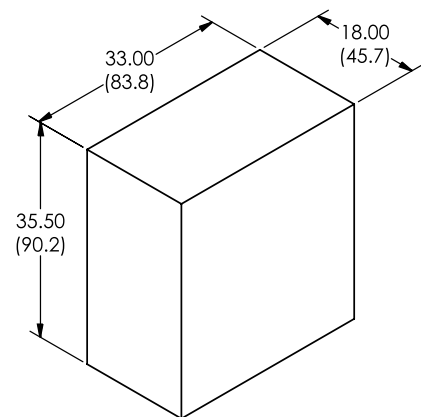
PROTECTIVE RAIL

The top shelf has a top surround to prevent items from sliding off the shelf.

SYSTEM SPECIFICATIONS

DIMENSIONS	18" W x 33" L x 35-1/2" H 45.7 x 83.8 x 90.2 cm
CASTERS	4" Casters (One Brake)
WEIGHT	40 Lb / 18.2 Kg

PACKAGING



4 YEAR
WARRANTY



MADE IN
THE USA