

Wheelchair Scale

Model SR755i

Now featuring touchless weighing*

Everything you ever wanted in an institutional grade portable scale system. Designed for ultimate versatility, the SR755i covers a wide range of patient weighing needs.

Constructed of a heavy-duty aluminum, the SR755i has a weight capacity of 1000 Lbs, yet is easily transported on built-in wheels.

The large weighing surface with integrated ramps will easily accommodate patients with walkers, canes, chairs, and wheelchairs.



Platform size: 28" x 28"
SR755i-H shown

*SR555i, SR585i, SR755i scales now feature optional AC power that enables scales to remain plugged in, always on, and ready to weigh a patient with no button activation.

ANTIMICROBIAL

SR Scales contain antimicrobial technology for powerful, continuous product protection against bacteria.

PORTABLE

Just Tip n' Go! Take the scale to the patient for an ideal point-of-use weighing system.

MEMORY RECALL

Recalls the last stored weight.

AC OR BATTERY OPERATED

An optional AC power adaptor can be plugged into the scale for touchless scale operation. Additionally 6 "D" cell batteries provide approximately 10,000 weigh cycles with programmable Auto Power Down (APD) to conserve power when not plugged in.

SOLID CAST ALUMINUM

Durable and easy to clean.

INTEGRATED FRONT HAND HOLD AND SIDE GRIP HANDLES

Patient can use the front hand hold and side grip handles for stability without affecting accuracy.

BMI CALCULATION

Enter height information to calculate and display Body Mass Index.

EHR/EMR READY

Serial data output can be used to communicate with electronic health records through send or get commands.

OPTIONAL EQUIPMENT

- Thermal printer
- Height rod - Easily measure in both inches and centimeters.



**EASY TRANSPORT
& STORAGE**



**4 YEAR
WARRANTY**



**MADE IN
THE USA**

Wheelchair Scale

Model SR755i



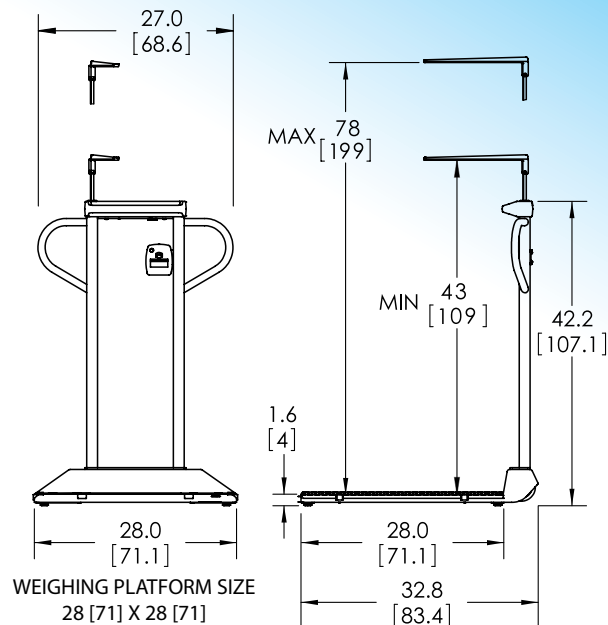
SYSTEM SPECIFICATIONS

MAX WEIGHT	1000 Lb / 454 Kg
DISPLAY TYPE	16 Character LCD w/ LED Backlight
DISPLAY RESOLUTION	0.1 Lb/Kg
ACCURACY	0.1% +/- 1 digit of displayed resolution
DISPLAY UNITS	Pounds / Kilograms
POWER	6 "D" cell alkaline batteries and optional AC power adaptor.
BATTERY LIFE	10,000 Weigh Cycles (est. based on 30 second on-time)
AUTO POWER DOWN (APD)	Programmable on-time to conserve battery life. A low battery indication will appear when it's time to replace the batteries.
MEMORY	Last stable weight is automatically stored in memory. Press RECALL to retrieve.
BMI CALCULATION	Press BMI and input height. Press ENTER to view BMI information.
SERIAL DATA OUTPUT (EHR)	9-pin serial data output can be used to send weight data to optional printer or EHR/EMR Systems.
RAMPS	Dual folding ramps.
WARRANTY	4 years

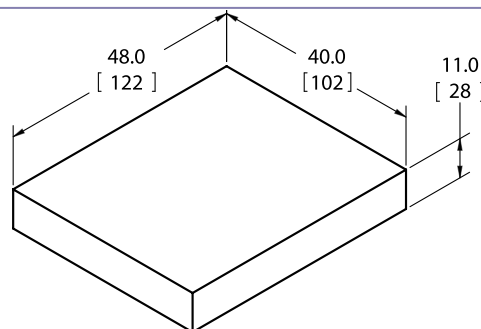
ACCESSORIES AND OPTIONS

DESCRIPTION	PART NUMBER
SR755i WITH AC ADAPTOR	SR755i-AC
SCALE WITH HEIGHT ROD	SR755i-H
KILOGRAM ONLY SCALE	SR755i-KG
PRINTER KIT includes FRAP1300, FRTP130012C, FRBC1300, SE8294, and all mounting hardware	SR8220
REPLACEMENT HEIGHT ROD (ADD CM SUFFIX FOR CENTIMETER)	SR8285

DIMENSIONS in [cm]



PACKAGING



SR755i



Integrated front hand hold and side grip handles promote patient stability.