

# Wall Mount Scale

## Model SR7001i Series

The ultimate space saver. Designed for flush wall mount, the SR7001i platform scale tucks away neatly when not in use to maximize your use of floor space.

The large low profile weighing surface with integrated ramps and grab rail will easily accommodate patients with walkers, canes, chairs, and wheelchairs up to 30" wide.

Constructed of heavy-duty aluminum plate, the SR7001i has a weight capacity of 660 Lbs.

Counter-balancing actuators make light work out of raising and lowering the weighing surface.

It's there when you need it and cleanly out of the way when you don't.



Platform size: 24W" x 30D"

### ANTIMICROBIAL

SR Scales contain antimicrobial technology for powerful, continuous product protection against bacteria.

### AUTO-WEIGH

The scale will automatically turn on, lock in a stable weight, and send a record of the weight, date, and time stamp to the optional printer. (BMI can also be calculated and added to the record.)

### MEMORY

Recalls the last stored weight.

### POWER

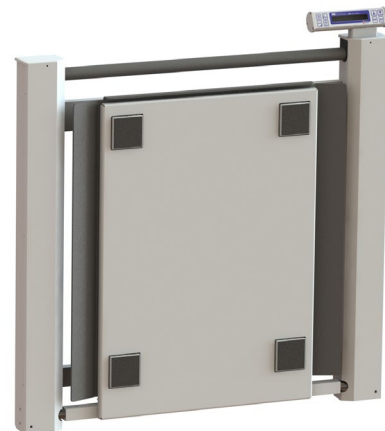
Medical grade wall power supply.

### BMI CALCULATION

Enter height information to calculate and display Body Mass Index.

### OPTIONAL EQUIPMENT

Thermal printer or data port



4 YEAR  
WARRANTY



MADE IN  
THE USA

# Wall Mount Scale

## Model SR7001i Series



### SYSTEM SPECIFICATIONS

<b>MAX WEIGHT</b>	660 Lb / 300 Kg
<b>DISPLAY TYPE</b>	16 Character LCD w/ LED Backlight
<b>DISPLAY RESOLUTION</b>	0.1 Lb/Kg
<b>ACCURACY</b>	0.1% +/- 1 digit of displayed resolution
<b>DISPLAY UNITS</b>	Pounds / Kilograms
<b>POWER</b>	Medical grade AC wall power supply.
<b>AUTO POWER DOWN (APD)</b>	Programmable on-time.
<b>AUTO WEIGH/PRINT</b>	The scale will automatically turn on, lock in a stable weight, and print (printer optional).
<b>ZERO</b>	One touch Zero button. Scale will automatically zero when the platform is lowered down.

<b>MEMORY</b>	Last stable weight is automatically stored in memory. Press <b>RECALL</b> to retrieve.
---------------	--

<b>BMI CALCULATION</b>	Press <b>BMI</b> and input height. Press <b>ENTER</b> to view BMI information.
------------------------	--

<b>BUILT-IN PRINTER</b> (Optional)	Stored information may be sent to the built-in thermal printer and may include: Weight/Time/Date/BMI.
---------------------------------------	---

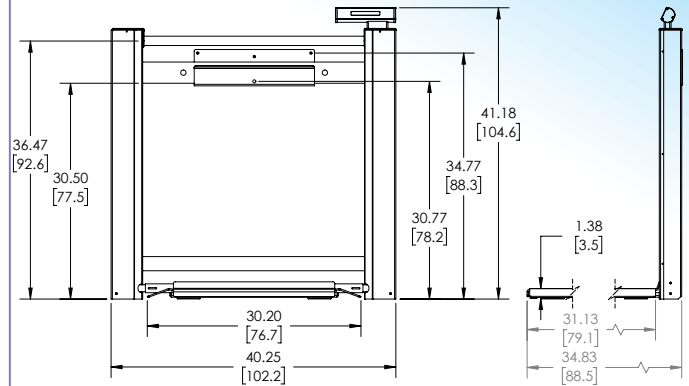
<b>SERIAL DATA OUTPUT (EHR)</b>	9-pin serial data port can be used to send weight data to EHR/EMR systems. (not available with printer)
---------------------------------	---

<b>WARRANTY</b>	4 years
-----------------	---------

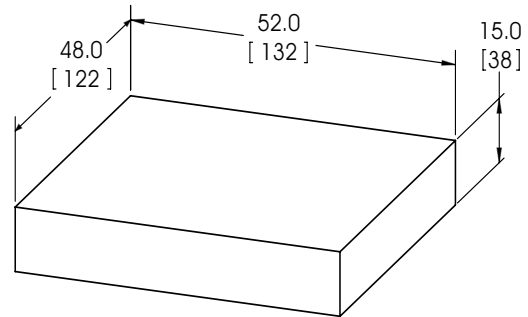
### ACCESSORIES AND OPTIONS

DESCRIPTION	PART NUMBER
<b>WALL MOUNT SCALE WITH PRINTER - (NO DATA PORT)</b>	Add "P" suffix
<b>KILOGRAM ONLY SCALE</b>	Add "KG" suffix
<b>REPLACEMENT PAPER</b> (15 rolls per box)	FRTP211C1
<b>REPLACEMENT POWER ADAPTOR</b>	FRGSM06U09P1J

### DIMENSIONS in [cm]



### PACKAGING



SR7001i